

VIMEK[®]
870.I

NEXT
GENERATION



VIMEK
Forest machines that
make an impression, not
an impact.

VIMEK

FASSI GROUP

VIMEK[®]

870.1



Vimek NG 870.1 is created to fulfill the forest owner's desire for how a thinning should be performed. Vimek NG 870.1 is an optimal tool to make high quality thinnings and to be proud of the work done.

Scan the QR-code to watch forest farmer Johan's first impression of the Vimek NG 870.1





Vimek NG 870.1 has DSS (Dual Steering System), this means steering in both middle joint and rear boggie. This reduce the space required to operate Vimek NG 870.1 in stands.



"She's like a snake in the forest..."
Johan Erlandsson, Forest farmer

With the new Vimek NG 870.1, you reduce the risk of damaging the environment due to the machine as well as reducing forest production losses caused by wide strip roads.

VIMEK[®]

870.I

Vimek NG 870.1 has a well-dimensioned cab with good visibility and low noise level.



*"With ICC, you do not have to think about anything, the crane adjust itself and it works excellent."
Mikael Lundholm, Norsjö*

Vimek NG 870.1 has been equipped with an intuitive world-class control system and HMI (Human Machine Interface) developed in collaboration between Vimek and Dasa.

Spacious cab with a focus on ergonomics and user-friendliness.



The machine has compact outer dimensions but an unusually spacious cab for the machine size for a pleasant driver environment.

VIMEK[®]

870.1

Comfortable cabin

Spacious safety cabin with excellent visibility. Low seat height for good visibility when thinning and less full body vibrations.

Hydraulic

Pumps and motors from Bosch Rexroth ensure both energy efficiency and durability.

Powerful engine

55kW stage V diesel engine from CAT is operated completely without DEF fluid.



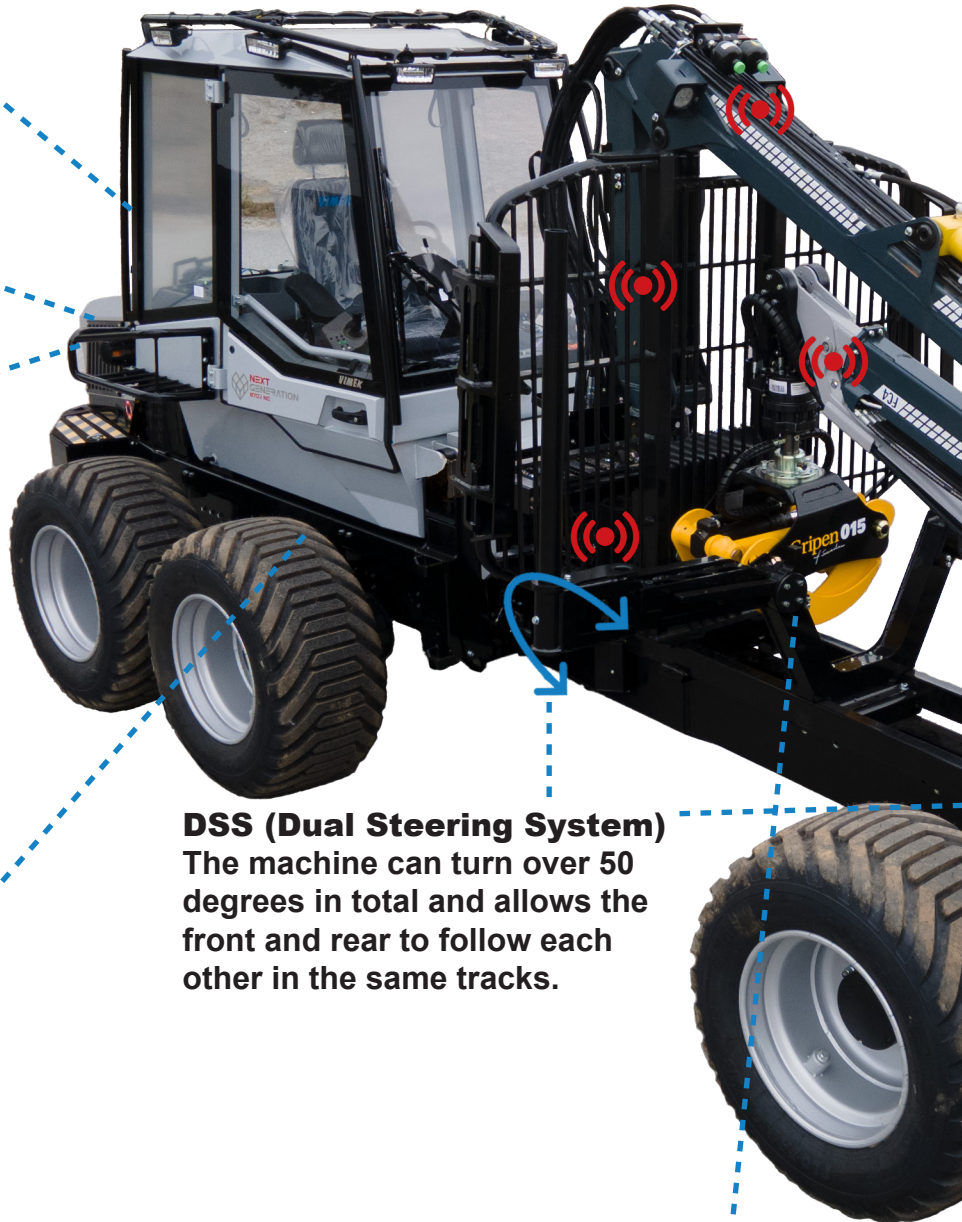
Transmission

Hydraulic / mechanical driveline with wet disk brakes and differential lock in bogies.

My Vimek



Opportunity for comfort functions and machine status via My Vimek, as well as remote support.



DSS (Dual Steering System)

The machine can turn over 50 degrees in total and allows the front and rear to follow each other in the same tracks.

Grapple

870.1 NG comes with different options for grapples.



SCC (Smart Crane Control)

The operator controls the movement of the crane tip and the control system itself calculates how each cylinder should be moved to achieve the desired gripping position, which both simplifies driving and increases the life time of the crane.

First-class crane from Cranab

Optimized for efficient work in dense thinnings.



VLB (Variable Load Bunks)

Vimek NG 870.1 can be equipped with VLB-system (hydraulic expandable cargo space).

Integrated

Lighting and reverse camera mounted in the frame.

TECHNICAL

Weight: From 7 ton

Engine: CAT

Engine type: Stage V

Maximum effect: 55 K

Torque: 270 Nm @1600Rpm

Stroke volume: 2,2

DEF fluid: Not required

Transmission and brakes:

Hydraulic / mechanical with driving program.
Disk in oil bath.

Work brake has automatic on / off.

Different lock front / rear.

Hydraulic system:

Working hydraulics 130 l / min at 2200 rpm.

Extra filtration of oil before hydrostat circuit.

Separate constant flow circuit for basic functions.

CONTACT VIMEK

VIMEK

FASSI GROUP

Vimek AB

Allan Jonssons väg 11

SE-922 31 Vindeln

Tel: +46 933-135 15

info@vimek.se • sales@vimek.se

SPECIFICATIONS

Cabin ergonomics:

Tested and safety rated cabin according to current standards.
Several chair options.

Control system and connection:

Modern architecture with integrated HMI in the machine's display.

Built-in machine tracking via GPS.

Possibility of comfort functions and machine status via My Vimek.

Remote support as an option.

Measurements:

Width: 2.2m

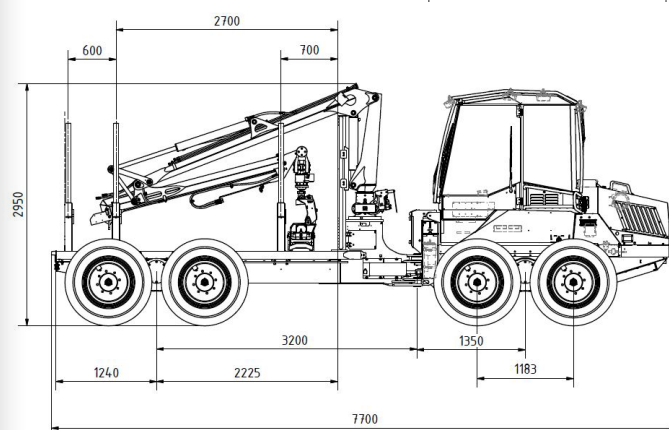
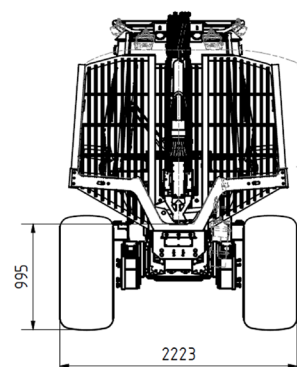
Total length: 7.7m

Load gate – bogie: 2.2m

Length cargo space: 3.4m

Max height: 3m

Crane reach: 6.7m



VIMEK

FASSI GROUP